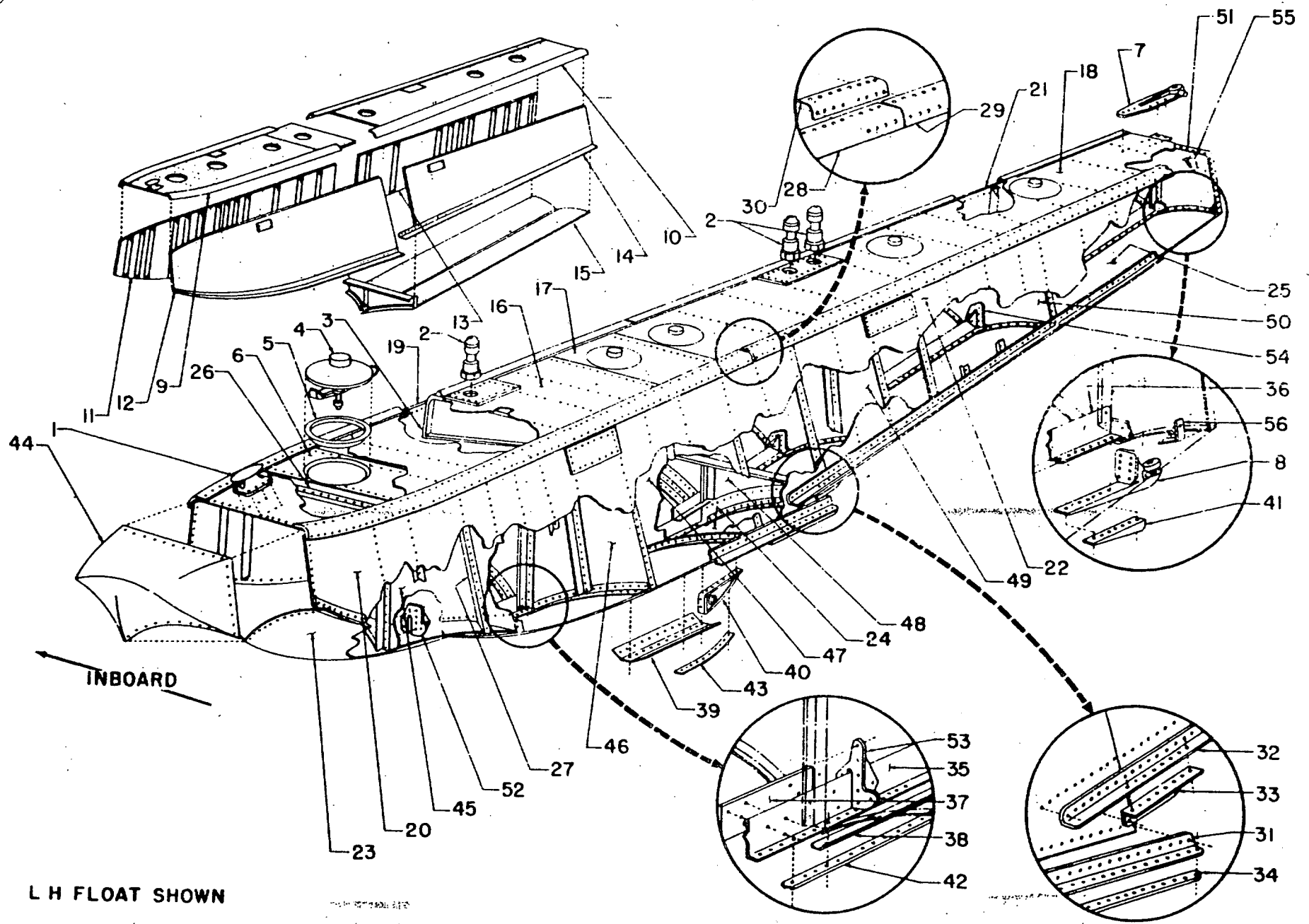


Figure 1- Installation Parts

Part Number						Part Name	
Aeronca 550C, 550F, 565C, 565CA	Aeronca 7AC	Luscombe 8A, 8C, 8D	Taylorcraft BC-50, BC12-65, BF-50, BF-60, BL-50, BL-65, BL12-65	Piper J3C-65	Piper J3C-50, J3C-65, J3F-50, J3F-60, J3F-65, J3L-50, J3L-65		
on Model 60-1320	on Model 60-1320	on Model 60-1320	on Model 60-1320	on Model 60-1320	on Model 54-1140		
1	60-A-017L	60-A-017L	60-A-017L	60-A-017L	60-A-017L	54-A-010L	Float Assembly - LH (less wirepulls, water rudder assembly & control parts) See Figure 2 for parts.
2	60-A-017R	60-A-017R	60-A-017R	60-A-017R	60-A-017R	54-A-010R	Float Assembly - RH (less wirepulls) See Figure 2 for parts.
3	54-C-136L/R	60-S-930-1L/R	54-C-136-1L/R	54-C-136L/R	54-C-136L/R	54-C-136L/R	Wirepull - Float Deck Front
4	54-C-135L/R	54-S-135L/R	60-S-118L/R	54-C-135L/R	54-C-135L/R	54-C-135L/R	Wirepull - Float Deck Rear
5	54-S-031	54-S-031	54-S-031	54-S-031	54-S-031	54-S-031	Spreader Assembly
5A	54-C-806	54-C-806	54-C-806	54-C-806	54-C-806	54-C-806	Bolt - Spreader Top Strap
5B	54-C-807	54-C-807	54-C-807	54-C-807	54-C-807	54-C-807	Bolt - Spreader Bottom Strap
5C	54-S-904	54-S-904	54-S-904	54-S-904	54-S-904	54-S-904	Plug - Spreader Terminal
6	54-C-305L/R	54-C-305L/R	54-C-305L/R	54-C-305L/R	54-C-305L/R	54-C-305L/R	Pad - Spreader Terminal
7	54-C-129-2	54-C-129-2	54-C-129-2	54-C-129-2	54-C-129-2	54-C-129-1	Wirepull - Front Spreader
8	54-C-130-2	54-C-130-2	54-C-130-2	54-C-130-2	54-C-130-2	54-C-130-1	Wirepull - Rear Spreader
9	60-S-209	60-S-209	60-S-209	60-S-209	60-S-209	54-S-208	Wire Assembly - Spreader
10	60-S-082	60-S-931-1	60-S-119	60-S-090	60-S-905	54-S-033	Strut Assembly - Front
11	60-S-084	60-S-931-2	60-S-120	60-S-091-1	60-S-906	54-S-040	Strut Assembly - Diagonal
12	60-S-085	60-S-932	60-S-121	60-S-091-2	60-S-907	54-S-041	Strut Assembly - Rear
13	60-S-073	60-S-933	60-S-117L/R	60-S-088L/R	60-S-213L/R	54-S-059L/R	Fitting - Fuselage Front
14	60-S-074	60-S-935	-	-	-	-	Fitting - Fuselage Diagonal Strut
15	60-S-080	60-S-941L/R	60-S-116	60-S-093	60-S-909L/R	54-S-011L/R	Fitting - Fuselage Rear Strut
16	60-S-076	60-S-934	60-S-111	-	60-S-217	54-S-061	Wirepull - Fuselage Front
17	60-S-079	-	-	-	-	-	Wirepull - Fuselage Rear
18	60-S-957-1	54-S-202-1	54-S-202-2	60-S-089-1	60-S-958-1	54-S-009-1	Wire Assembly - Front Cross
19	60-S-081	60-S-940	54-S-202-3	54-S-203-1	60-S-958-3	54-S-009-2	Wire Assembly - Rear Cross
20	54-W-023-10	54-W-023-10	54-W-023-10	54-W-023-10	54-W-023-10	54-W-023-10	Rudder Assembly - Water
20A	54-W-023-1	54-W-023-1	54-W-023-1	54-W-023-1	54-W-023-1	54-W-023-1	Blade Assembly - Water Rudder
20B	46-W-039	46-W-039	46-W-039	46-W-039	46-W-039	46-W-039	Post Assembly - Water Rudder
20C	54-W-903	54-W-903	54-W-903	54-W-903	54-W-903	54-W-903	Spring - Water Rudder
21	60-W-911	60-W-911	60-W-911	60-W-911	60-W-911	60-W-911	Pulley Installation - Float Deck
22	38-081	38-081	38-081	38-081	38-081	38-081	Fairlead Installation - Float Deck
23	0929	0929	0929	0929	0929	0929	Cable Assembly - Water Rudder Control
23A	D-376	D-376	D-376	D-376	D-376	D-376	Spring - Water Rudder Control Cable
24	60-W-041-1	-	-	60-W-102-1	60-W-506	D-263	Pulley Installation - Fuselage Forward
25	60-W-042	-	-	-	60-W-507	-	Connector - Pedal Cable
26	0928	0928	0928	0928	0928	0928	Cable Assembly - Water Rudder Lift
26A	0367	0367	0367	0367	0367	0367	Handle - Water Rudder Lift Cable
27	D-380	D-380	D-380	D-380	D-311	D-311	Fairlead - Cockpit
28	60-W-043	60-W-043	60-W-043	60-W-043	D-312	D-312	Hook Installation - Lift Cable Handle

Key to Figure 1



L H FLOAT SHOWN

Figure 2- Float Parts

Ref.

No.

Part Number

Part Name

Model 54-1140

Model 60-1370

Ref. No.	Model 54-1140 Part Number	Model 60-1370 Part Number	Part Name
1	00-M-300	00-M-300	Cleat - Mooring
2	54-C-018-1	54-C-018-1	Socket Assembly - Strut Attaching Ball
3	54-C-304L/R	54-C-304L/R	Fitting - (L or R float) Spreader Attaching
4	0120-1	0120-1	Cover Assembly - Deck Handhole
5	C-3413	C-3413	Gasket - Handhole Cover
6	54-M-119	54-M-119	Reinforcement - Deck Handhole (oversize)
7	46-W-033	46-W-033	Bracket - Water Rudder Deck (L float)
8	46-W-316	46-W-316	Bracket - Water Rudder Bottom (L float)
9	-	60-A-017-1L/R	Deck Assembly - Forward (L or R float)
10	54-A-010-2L/R	54-A-010-2L/R	Deck Assembly - Aft (L or R float)
11	-	60-A-017-21L/R	Side Assembly - Forward Inboard (L or R float)
12	-	60-A-017-22L/R	Side Assembly - Forward Outboard (L or R float)
13	-	60-A-017-31L/R	Side Assembly - Aft Inboard (L or R float)
14	-	60-A-017-32L/R	Side Assembly - Aft Outboard (L or R float)
15	-	60-A-017-4	Bottom Assembly - Aft
16	54-A-124	54-A-124	Skin - Forward Deck
17	-	60-A-143	Skin - Center Deck
18	54-A-125	54-A-125	Skin - Aft Deck
19	54-A-122-1	60-A-140-1	Skin - Forward Inboard Side
20	54-A-122-2	60-A-140-2	Skin - Forward Outboard Side
21	54-A-123-1	60-A-142-1	Skin - Aft Inboard Side
22	54-A-123-2	60-A-142-2	Skin - Aft Outboard Side
23	54-A-126L/R	60-A-144L/R	Skin - Forward Bottom
24	-	60-A-145	Skin - Center Bottom
25	54-A-128	60-A-146	Skin - Aft Bottom
26	54-A-219	54-A-219	Stiffener - Deck (oversize)
27	54-A-218	54-A-218	Stiffener - Side (oversize)
28	54-A-214L/R	60-A-223L/R	Coaming - Forward
29	54-A-215L/R	54-A-215L/R	Coaming - Aft
30	54-A-205	54-A-205	Splice - Coaming
31	54-A-216L/R	60-A-224L/R	Chine - Forward
32	54-A-217L/R	60-A-225L/R	Chine - Aft
33	54-A-220L/R	54-A-220L/R	Bracket - Chine
34	-	60-A-227L/R	Strip - Chine Reinforcing
35	54-K-212	60-K-221	Keelson - Forward
36	54-K-213	60-K-222	Keelson - Aft
37	60-K-139	60-K-139	Filler - Keelson Bulkhead
38	60-K-153-1	60-K-153	Strip - Keelson Internal
39	-	60-A-157	Strip - Keelson External
40	54-M-303	54-M-303	Skeg
41	54-A-502	54-A-502	Skid - Stern (R float)
42	54-K-500	60-K-501	Runner - Keel
43	54-K-805	54-K-805	Runner - Skeg
44	54-B-118	54-B-118	Cap - Bow
45	54-B-013	54-B-013	Bulkhead Assembly - Station 2
46	54-B-029	54-B-029	Bulkhead Assembly - Station 3
47	54-B-037	60-B-031	Bulkhead Assembly - Station 3A
48	54-B-024-2	54-B-024	Step Assembly
49	54-B-030	54-B-030	Bulkhead Assembly - Station 4
50	54-B-012	54-B-012	Bulkhead Assembly - Station 5
51	54-B-016	54-B-016	Transom Assembly
52	54-B-301	54-B-301	Gusset - Bulkhead Sta 2 Keelson
53	54-B-302	54-B-302	Gusset - Bulkhead Sta 3, 3A Keelson
54	54-B-300	54-B-300	Gusset - Bulkhead Sta 4, 5 Keelson
55	54-B-170	54-B-170	Clip - Bulkhead Coaming Corner
56	54-B-171	54-B-171	Clip - Bulkhead Chine Corner

Key to Figure 2